



HISTORIC PRESERVATION PERMIT

An Historic Preservation Permit for work described below has been issued under the Zoning Ordinance of the City of Tulsa (Section 70.070) to **Douglas M. Peck, Jr., Trustee (or Successor) of The Douglas M. Peck, Jr. Trust dated January 8, 2009**, for the address of **657 North Cheyenne Avenue, Tulsa, Oklahoma**, located in the **Brady Heights Historic Preservation Overlay District**. This proposal has been approved by the Tulsa Preservation Commission.

Any changes to the Approved Proposal require further review and approval by the Tulsa Preservation Commission prior to work being done. Unapproved changes to the Approved Proposal are a violation of the Zoning Ordinance and may result in revocation of a Building Permit and/or code enforcement.

This Historic Preservation Permit is not a Building Permit for residential or commercial zoning. A copy of this permit and approved project plans should be provided to the City of Tulsa Permit Center for the completion of the process to obtain a Building Permit, if applicable.

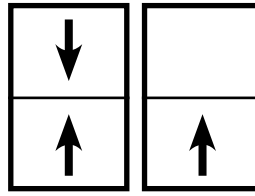
APPROVED PROPOSAL

Replacement of windows

A handwritten signature in cursive script that reads "Felicity Good".

Felicity Good
Historic Preservation Officer, City of Tulsa

Date issued: October 13, 2022
Expiration: October 14, 2024
Number: HP-0391-2022



AdvantEdge Series 3 1/4" Frame Depth Double Hung/Single Hung

ADVANTEDGE SERIES DOUBLE HUNG/SINGLE HUNG

FEATURES

- ◇ **Commercial Framing System**
 - 3 1/4" main frame
 - 0.060" wall thickness of frame, 0.070" wall thickness of sash
- ◇ **Enhanced Design**
 - Mitered and welded corners
 - Foam wrap on main frame
- ◇ **Glazing**
 - 3/4" insulated glass
- ◇ **Hardware**
 - Block and tackle balancers
- ◇ **Screen**
 - Roll form aluminum screen frame with BetterVue™ mesh with WaterShed® technology

BENEFITS

- ◇ The capacity to match exterior colors for unique project facades
- ◇ The ability to facilitate large sizes for taller and wider window openings

PERFORMANCE

- ◇ **Structural & Thermal** (test reports or thermal simulations available upon request)

Model	Double Hung	Single Hung
NAFS Rating	R-40	R-35
Structural Load P.S.F.	60.15	52.63
Air at 50 MPH (cfm/ft²)	0.16	0.1
Water (No Penetration) P.S.F.	7.52	5.43
U-Value (ranges based on multiple Low-E/Argon combinations)	0.25-0.30	0.25-0.30
SHGC (ranges based on multiple Low-E/Argon combinations)	0.14-0.50	0.14-0.51
Window Test Size	40" x 63"	40" x 63"

OPTIONS

- ◇ **Available Configurations**
 - Double Hung
 - Single Hung
 - Geometric shapes
- ◇ **Muntin Choices**
 - Internal or simulated divided lites available
- ◇ **Limited travel Hardware**
- ◇ **Screen**
 - Roll form aluminum screen frame with aluminum wire mesh
 - Roll form aluminum screen frame with sunscreen mesh
 - Roll form aluminum screen frame with stainless steel 0.009" thickness mesh
- ◇ **Glazing**
 - Multiple Low-E and argon glazing choices
 - Triple glazing (Energy TG)
 - Capillary tubes
 - Wide variety of glazing, tinting and thickness options
- ◇ **Installation Accessories**
 - Head Expander
 - Sill Expander
 - Pre-drilled jambs
- ◇ **Panning & Trim Choices**
 - Wide variety of panning, receptor and trim available
- ◇ **Mulling**
 - Wide variety of structural mulls
- ◇ **Colors**
 - High-performance Textured Black laminate (interior/exterior)
 - High-performance Textured Black laminate (exterior only with White vinyl interior)
 - Twelve painted exterior colors (with White or Sandstone vinyl interior)
 - Unlimited custom painted exterior colors

CITY OF TULSA PRESERVATION COMMISSION

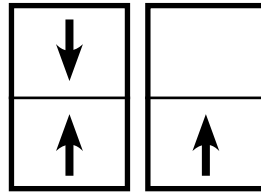
APPROVED DATE: 10/13/22

BY *Shelley Good*

**SUCH APPROVED PLANS SHALL NOT BE CHANGED
MODIFIED OR ALTERED WITHOUT AUTHORIZATION**

Our products are tested to the standards of and certified by some of the foremost organizations in the fenestration industry.

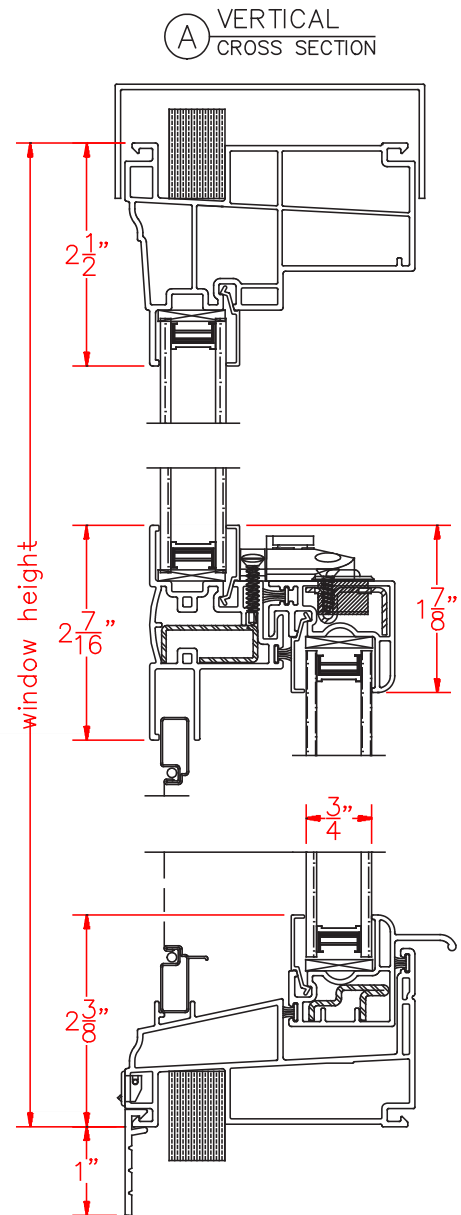
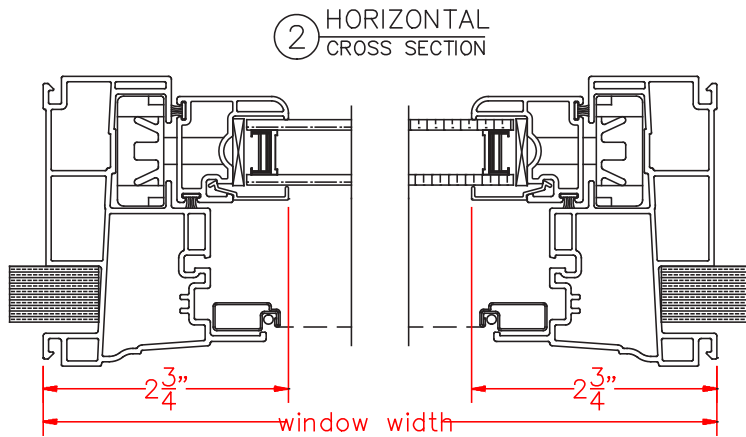
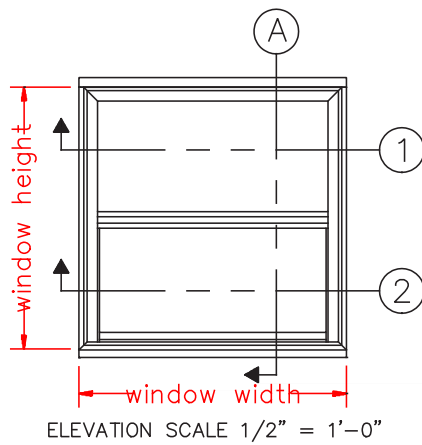
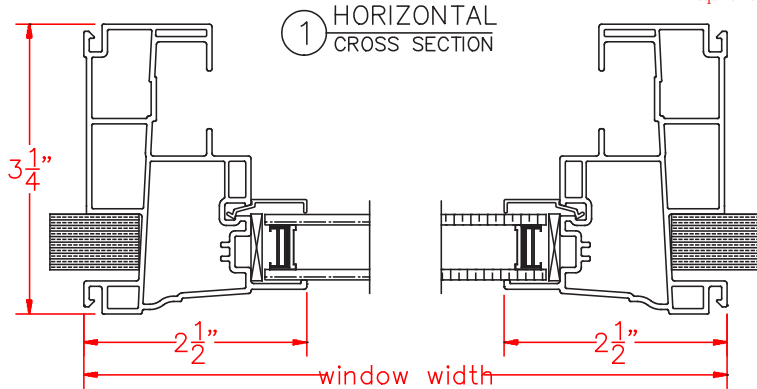




AdvantEdge Series 3 1/4" Frame Depth Double Hung/Single Hung

ADVANTEDGE SINGLE HUNG

This document contains confidential and proprietary information intended for the private use of Quaker.
© 2016 Quaker Window Products Co., INC. All rights reserved.
Quaker reserves the right to change any/all designs without notice. Due to periodic re-certification requirements, result shown may vary.



CITY OF TULSA PRESERVATION COMMISSION

APPROVED DATE: 10/13/22

BY *Helicity Good*

SUCH APPROVED PLANS SHALL NOT BE CHANGED
MODIFIED OR ALTERED WITHOUT AUTHORIZATION

Our products are tested to the standards of and certified by some of the foremost organizations in the fenestration industry.



DOUGLAS PECK
 657 N CHEYENNE AVE
 TULSA, OK 74016
 HEIGHTS - HOME BUILT 2003 (NON-HISTORIC)

WINDOW REPLACEMENT REQUEST #2
 OCTOBER 7TH, 2022



MASTER SITTING
 Window #1

Status: **PROPOSED**

Line	Label	Quantity	UOM	Part Number	Unit	Extended
1	MASTER SITTING	1	EA	Quaker Unit		\$359.39



** Viewed From Exterior **

Series: AdvantEdge E4 (Replacement)

Exact Size: 35 3/4 X 59 1/2

Color: White,
 Glass: Energy3S (Triple Silver), Argon Filled,
 Hardware: White, Sash: Sweep Lock, Night Latch: Night Latch,
 Screen: Half Screen, Material: BetterVue (TM), Ship: Ship Screen Separate,
 Install Acc: Header/Sill Expander w/Foam, Depth: 3 1/4" Frame Depth,

Unit: 1-Single Hung Exact Size: 35 3/4 X 59 1/2, **NOT Egress**,
 Clear Opening: 30 5/8 X 25 3/4
 Clear Opening Sqft: 5 1/2
 NFRC - U-Factor: 0.29 SHGC: 0.22 VT: 0.51 AL: ≤ 0.3 CR: 60
 Rating: R-35
 Top Glass: Cardinal LowE 366 - DSB / Clear - DSB, Strength: Annealed Glass
 Bottom Glass: Cardinal LowE 366 - DSB / Clear - DSB, Strength: Annealed Glass
 Overall Rating: DP-35
 Total Weight 57 lbs.



CITY OF TULSA PRESERVATION COMMISSION

APPROVED DATE: 10/13/22

BY *Selivity Hood*

SUCH APPROVED PLANS SHALL NOT BE CHANGED
 MODIFIED OR ALTERED WITHOUT AUTHORIZATION



WINDOW REPLACEMENT REQUEST #2

DOUGLAS PECK
657 N CHEYENNE AVE
TULSA, OK 74016
HEIGHTS - HOME BUILT 2003 (NON-HISTORIC)

DINING ROOM
Window #2

Status: **PROPOSED**

2	DINING ROOM	2	EA	Quaker Unit	\$334.41	\$668.82
---	-------------	---	----	-------------	----------	----------



**** Viewed From Exterior ****

Series: AdvantEdge E4 (Replacement)

Exact Size: 29 3/4 X 59 1/2

Color:White,
Glass:Energy3S (Triple Silver),Argon Filled,
Hardware:White,Sash:Sweep Lock,Night Latch:NightLatch,
Screen:Half Screen,Material:BetterVue (TM),Ship:Ship Screen Separate,
Install Acc:Header/Sill Expander w/Foam,Depth:3 1/4" Frame Depth,

Unit:1-Single Hung Exact Size: 29 3/4 X 59 1/2,**NOT Egress,**

Clear Opening: 24 5/8 X 25 3/4

Clear Opening Sqft: 4 7/16

NFRC - U-Factor:0.29SHGC:0.22VT:0.51AL:≤0.3CR:60

Rating: R-35

Top Glass:Cardinal LowE 366 - DSB / Clear - DSB,Strength:Annealed Glass

Bottom Glass:Cardinal LowE 366 - DSB / Clear - DSB,Strength:Annealed Glass

Overall Rating: DP-35

Total Weight 48 lbs.



CITY OF TULSA PRESERVATION COMMISSION

APPROVED DATE: 10/13/22

BY *Helicity Good*

**SUCH APPROVED PLANS SHALL NOT BE CHANGED
MODIFIED OR ALTERED WITHOUT AUTHORIZATION**

WINDOW REPLACEMENT REQUEST #2

DOUGLAS PECK
657 N CHEYENNE AVE
TULSA, OK 74016
HEIGHTS - HOME BUILT 2003 (NON-HISTORIC)

KITCHEN
Window #4

Status: **PROPOSED**



3	KITCHEN	1	EA	Quaker Unit	\$359.39	\$359.39
---	---------	---	----	-------------	----------	----------



**** Viewed From Exterior ****

Series: AdvantEdge E4 (Replacement)

Exact Size: 35 3/4 X 59 1/2

Color: White,
Glass: Energy35 (Triple Silver), Argon Filled,
Hardware: White, Sash: Sweep Lock, Night Latch: Night Latch,
Screen: Half Screen, Material: BetterVue (TM), Ship: Ship Screen Separate,
Install Acc: Header/Sill Expander w/Foam, Depth: 3 1/4" Frame Depth,

Printed On: 7/25/2022 12:23 PM

Page 2 of 7

Unit: 1-Single Hung Exact Size: 35 3/4 X 59 1/2, **NOT Egress**,
Clear Opening: 30 5/8 X 25 3/4
Clear Opening Sqft: 5 1/2
NFRC - U-Factor: 0.29 SHGC: 0.22 VT: 0.51 AL: ≤ 0.3 CR: 60
Rating: R-35
Top Glass: Cardinal LowE 366 - DSB / Clear - DSB, Strength: Annealed Glass
Bottom Glass: Cardinal LowE 366 - DSB / Clear - DSB, Strength: Annealed Glass

Overall Rating: DP-35
Total Weight 57 lbs.

CITY OF TULSA PRESERVATION COMMISSION

APPROVED DATE: 10/13/22

BY *Helicity Good*

SUCH APPROVED PLANS SHALL NOT BE CHANGED
MODIFIED OR ALTERED WITHOUT AUTHORIZATION

WINDOW REPLACEMENT REQUEST #2



EAST FAMILY
 Window #5

Status: **PROPOSED**

4	EAST FAMILY	1	EA	Quaker Unit	\$359.39	\$359.39
---	-------------	---	----	-------------	----------	----------



** Viewed From Exterior **

Series: AdvantEdge E4 (Replacement)

Exact Size: 35 3/4 X 59 1/2

Color: White,
 Glass: Energy3S (Triple Silver), Argon Filled,
 Hardware: White, Sash: Sweep Lock, Night Latch: Night Latch,
 Screen: Half Screen, Material: BetterVue (TM), Ship: Ship Screen Separate,
 Install Acc: Header/Sill Expander w/Foam, Depth: 3 1/4" Frame Depth,

Unit: 1-Single Hung Exact Size: 35 3/4 X 59 1/2, **NOT Egress.**

Clear Opening: 30 5/8 X 25 3/4

Clear Opening Sqft: 5 1/2

NFRC - U-Factor: 0.29 SHGC: 0.22 VT: 0.51 AL: ≤ 0.3 CR: 60

Rating: R-35

Top Glass: Cardinal LowE 366 - DSB / Clear - DSB, Strength: Annealed Glass

Bottom Glass: Cardinal LowE 366 - DSB / Clear - DSB, Strength: Annealed Glass

Overall Rating: DP-35

Total Weight 57 lbs.

CITY OF TULSA PRESERVATION COMMISSION

APPROVED DATE: 10/13/22

BY *Helicity Hood*

SUCH APPROVED PLANS SHALL NOT BE CHANGED
 MODIFIED OR ALTERED WITHOUT AUTHORIZATION





WINDOW REPLACEMENT REQUEST #2

DOUGLAS PECK
657 N CHEYENNE AVE
TULSA, OK 74016
HEIGHTS - HOME BUILT 2003 (NON-HISTORIC)

BEDROOMS UP
Window #8 & #9

Status: **PROPOSED**

6	BEDROOMS UP	2	EA	Quaker Unit	\$359.39	\$718.79
---	-------------	---	----	-------------	----------	----------



**** Viewed From Exterior ****

Series: AdvantEdge E4 (Replacement)

Exact Size: 35 3/4 X 59 1/2

Color: White,
Glass: Energy3S (Triple Silver), Argon Filled,
Hardware: White, **Sash:** Sweep Lock, **Night Latch:** Night Latch,
Screen: Half Screen, **Material:** BetterVue (TM), **Ship:** Ship Screen Separate,
Install Acc: Header/Sill Expander w/Foam, **Depth:** 3 1/4" Frame Depth,

Unit: 1-Single Hung **Exact Size:** 35 3/4 X 59 1/2, **NOT Egress,**

Clear Opening: 30 5/8 X 25 3/4

Clear Opening Sqft: 5 1/2

NFRC - U-Factor: 0.29 **SHGC:** 0.22 **VT:** 0.51 **AL:** ≤0.3 **CR:** 60

Rating: R-35

Top Glass: Cardinal LowE 366 - DSB / Clear - DSB, **Strength:** Annealed Glass

Bottom Glass: Cardinal LowE 366 - DSB / Clear - DSB, **Strength:** Annealed Glass

Overall Rating: DP-35

Total Weight: 57 lbs.



CITY OF TULSA PRESERVATION COMMISSION

APPROVED DATE: 10/13/22

BY *Selivity Hood*

SUCH APPROVED PLANS SHALL NOT BE CHANGED
MODIFIED OR ALTERED WITHOUT AUTHORIZATION



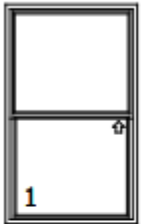
DOUGLAS PECK
 657 N CHEYENNE AVE
 TULSA, OK 74016
 HEIGHTS - HOME BUILT 2003 (NON-HISTORIC)

WINDOW REPLACEMENT REQUEST #2

SOUTH FAMILY
 Window #6 & #7

Status: **PROPOSED**

5	SOUTH FAMILY	2	EA	Quaker Unit	\$359.39	\$718.79
---	--------------	---	----	-------------	----------	----------



**** Viewed From Exterior ****

Series: AdvantEdge E4 (Replacement)
Exact Size: 35 3/4 X 59 1/2
Color: White,
Glass: Energy3S (Triple Silver), Argon Filled,
Hardware: White, **Sash:** Sweep Lock, **Night Latch:** NightLatch,
Screen: Half Screen, **Material:** BetterVue (TM), **Ship:** Ship Screen Separate,
Install Acc: Header/Sill Expander w/Foam, **Depth:** 3 1/4" Frame Depth,

Unit: 1-Single Hung **Exact Size:** 35 3/4 X 59 1/2, **NOT Egress**,
 Clear Opening: 30 5/8 X 25 3/4
 Clear Opening Sqft: 5 1/2
NFRC - U-Factor: 0.29 **SHGC:** 0.22 **VT:** 0.51 **AL:** ≤0.3 **CR:** 60
Rating: R-35
Top Glass: Cardinal LowE 366 - DSB / Clear - DSB, **Strength:** Annealed Glass
Bottom Glass: Cardinal LowE 366 - DSB / Clear - DSB, **Strength:** Annealed Glass
Overall Rating: DP-35
 Total Weight 57 lbs.



CITY OF TULSA PRESERVATION COMMISSION

APPROVED DATE: 10/13/22
 BY *Shelley Hood*

SUCH APPROVED PLANS SHALL NOT BE CHANGED
 MODIFIED OR ALTERED WITHOUT AUTHORIZATION